

Section 7. Technical Specifications

The Goods and Related Services shall comply with following Technical Specifications:

Item No	Name of Item or Related Service	Technical Specification and Standards
1	2	3
GOODS:		
01.	Manufacturing, Supply, Installation, testing and Commissioning of FRP (Fiber Reinforced Plastic) Acid Storage Tank with 450 MW Existing WTP	Type: Vertical cylindrical Shell with Dished end Size: Inner Diameter : 2700-2800 mm Length : 3700-3900 mm Thickness : 10 - 15 mm Dish Height : 440-460 mm Material: Unsaturated polyester resin (Bisphenol type) or Vinyl ester resin Geometric Volume : 22 m ³ Chemical Density : 1.16 Mass of Liquid : 25840 kg Design Pressure : atm / Full of Liquid Design Temperature : 90 deg Celcius Accessories: Top Manhole : ID : 500 mm, 01 No Inlet pipe : DN 50, Length : 2 m, Mat : W/ Deep pipe Outlet pipe : DN 50, Length : 7 m Level gauge : DN 20, Mat: PFA Tube, 01 No Drain line : DN 50, 01 No Ball Valve (PTFE) : DN50, 04 No Vent line : DN 50, 01 No Expansion Bellows : DN 50, Mat: PTFE, 01 No Flange : As per drawing Ladder : SS 400+ Epoxy, 01 No Nozzle : Standard Lifting Hooks : 04 No Name Plate : Standard Tank Colour : RAL 7040

02.	<p>Manufacturing, Supply, Installation, testing and Commissioning of FRP (Fiber Reinforced Plastic) Caustic Storage Tank with 450 MW Existing WTP</p>	<p>Type: Vertical cylindrical Shell with Dished end</p> <p>Size:</p> <p>Inner Diameter : 2700 -2800 mm Length : 3700 -3900 mm Thickness : 10 - 15 mm Dish Height : 440 -460 mm Material: Unsaturated polyester resin (Bisphenol type) or Vinyl ester resin</p> <p>Geometric Volume : 22 m3 Chemical Density : 1.50 Mass of Liquid : 31500 kg Design Pressure : atm / Full of Liquid Design Temperature : 90 deg Celcius</p> <p>Accessories:</p> <p>Top Manhole : ID : 500 mm, 01 No Inlet pipe : DN 50, Length : 2 m, Mat : W/ Deep pipe Outlet pipe : DN 50, Length : 7 m Level gauge : DN 20, Mat: PFA Tube, 01 No Drain line : DN 50, 01 No Ball Valve (PTFE) : DN50, 04 No Vent line : DN 50, 01 No Expansion Bellows : DN 50, Mat: PTFE, 01 No Flange : As per drawing Ladder : SS 400+ Epoxy, 01 No Nozzle : Standard Lifting Hooks : 04 No Name Plate : Standard Tank Colour : RAL 7040</p>
-----	--	--

03.	Manufacturing, Supply, Installation, testing and Commissioning of FRP (Fiber Reinforced Plastic) Acid fume scrubber Tank with 450 MW Existing WTP	Type: Vertical cylindrical Shell with Dished end Size: Inner Diameter : 475 - 525 mm Length : 1550 - 1650 mm Thickness : 05 - 07 mm Material: Unsaturated polyester resin (Bisphenol type) or Vinyl ester resin Geometric Volume : 0.3 m3 Chemical Density : 1.16 Mass of Liquid : 420 kg Design Pressure : atm / Full of Liquid Design Temperature : 90 deg Celcius Accessories: Gas Inlet pipe : DN 25, 01 No Water inlet pipe : DN 15, 01 No Drain line : DN 50, 01 No Ball Valve (PTFE) : As per drawing Vent line : DN 25, 01 No Flange : As per drawing Name Plate : Standard Tank Colour : RAL 7040
RELATED SERVICES:		
02.	Manufacturing, Supply, Installation, Testing and Commissioning of FRP (Fiber Reinforced Plastic) Acid Storage Tank, Caustic Storage Tank & Acid Fume Scrubber Tank with 450 MW Existing WTP of APSCl.	Not Applicable

Note 1: Manufacturing works (for item no. 1, 2 & 3) will be done based on description & as per Attached Drawing.

Note 2: Existing foundation can be modified by the Supplier (if required).

Note 3: All Existing tank and pipe line will be removed by the Supplier.

Note 4: All Crane facility will be provided by the Purchaser.

Note 5: Before manufacturing item no. 1, 2 & 3; the Supplier have to take the approval of drawings from the Purchaser.



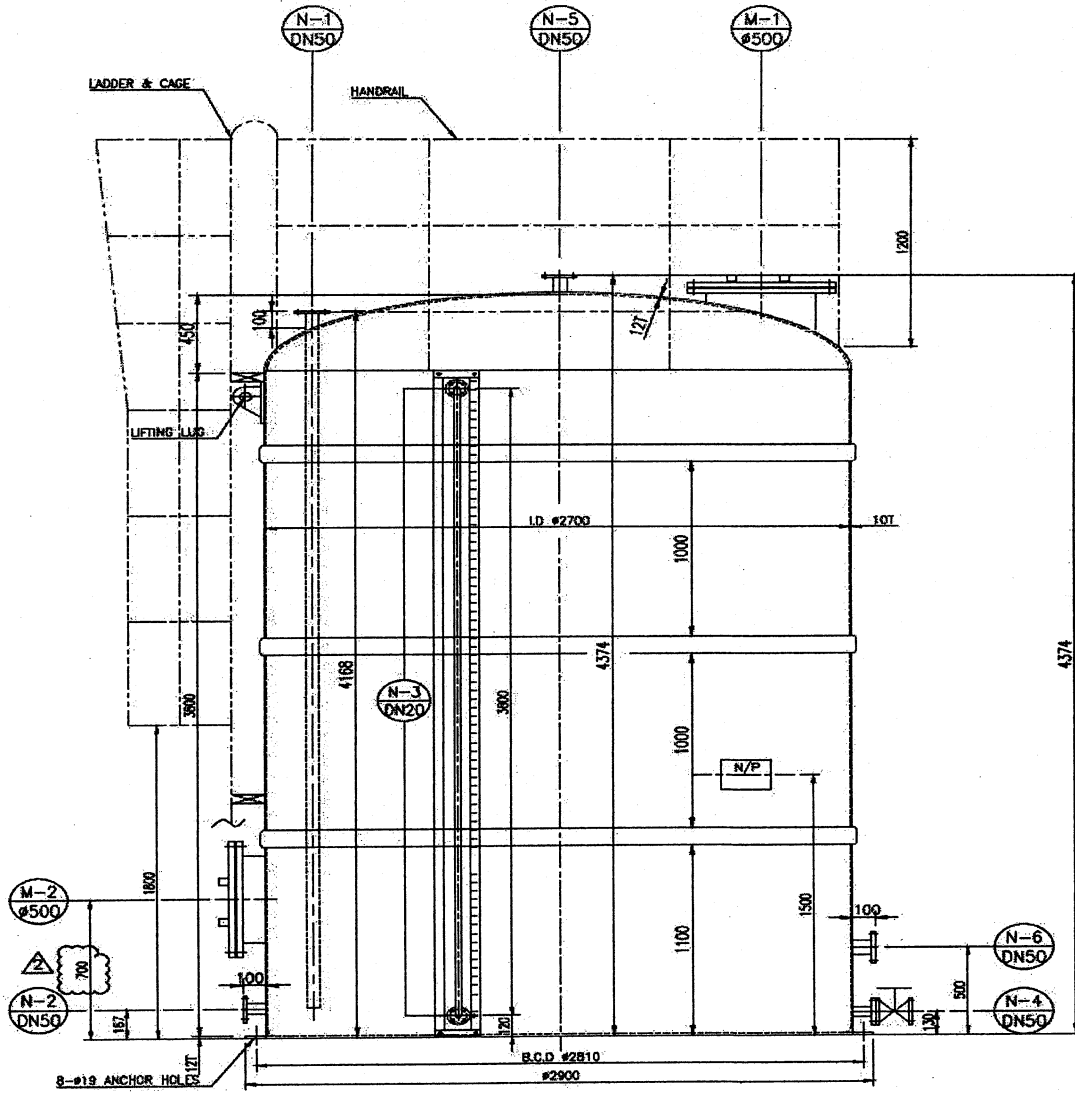
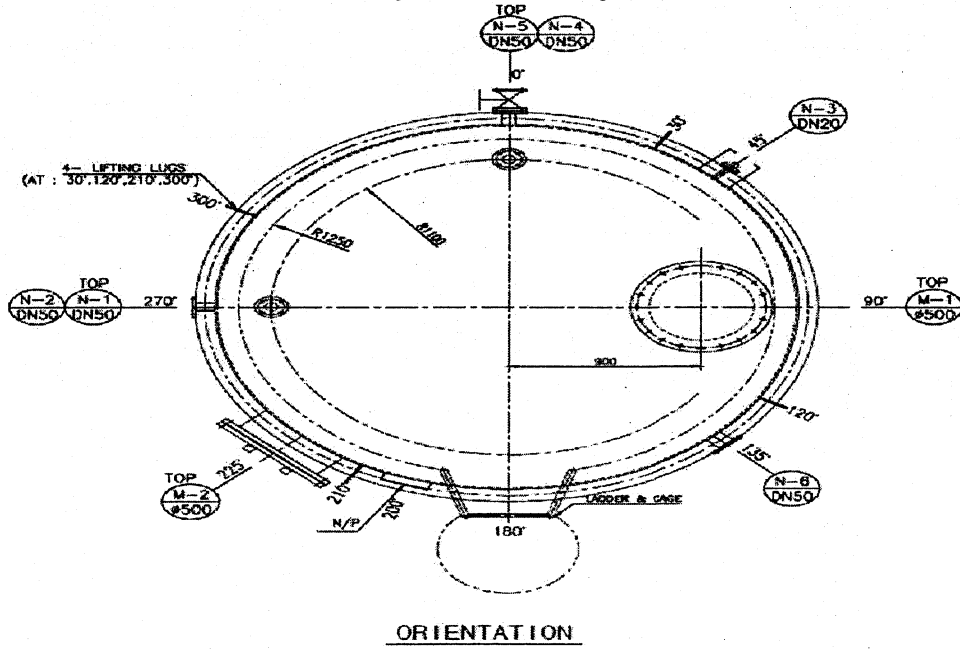

Section 8. Drawings

Attached

Bin

(Q)

Drawing of Acid Storage Tank

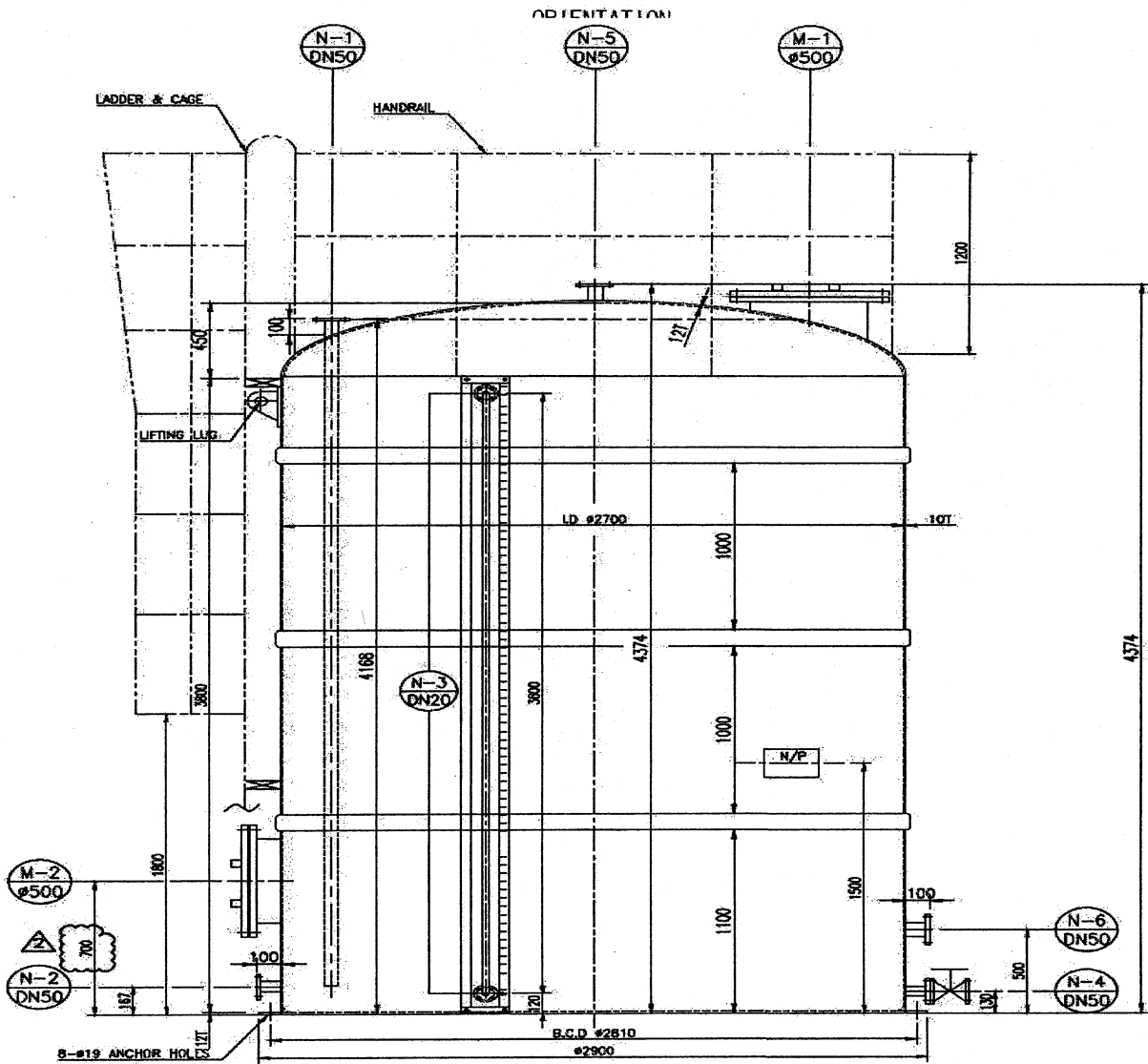
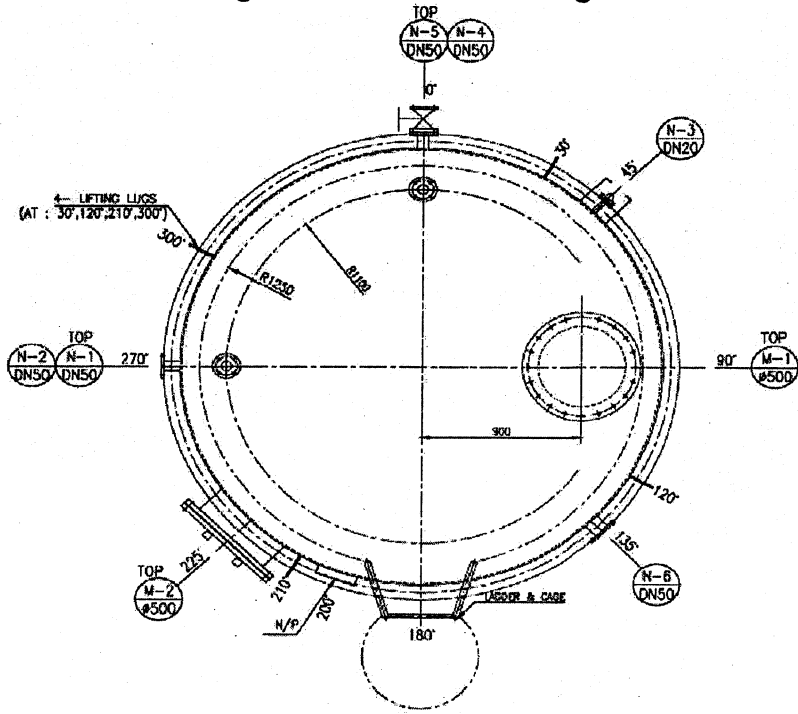


(89)

Handwritten signature

Handwritten initials

Drawing of CAUSTIC Storage Tank

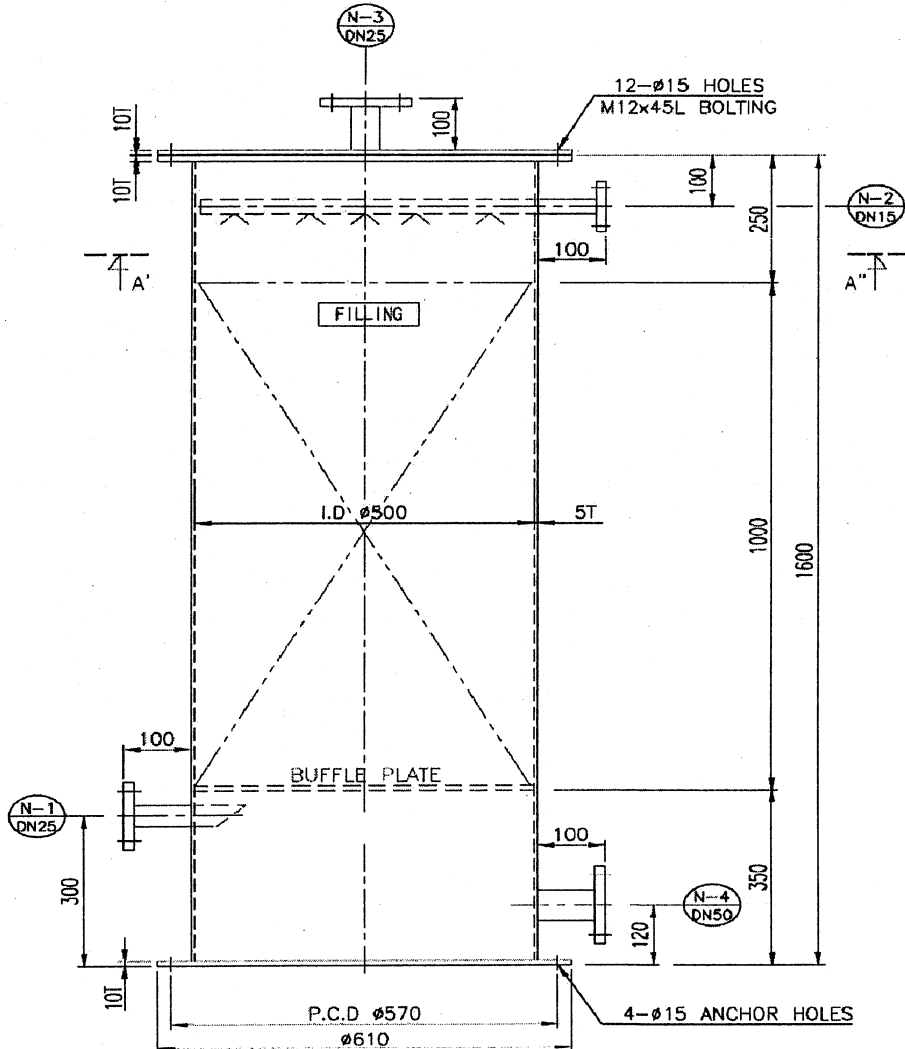
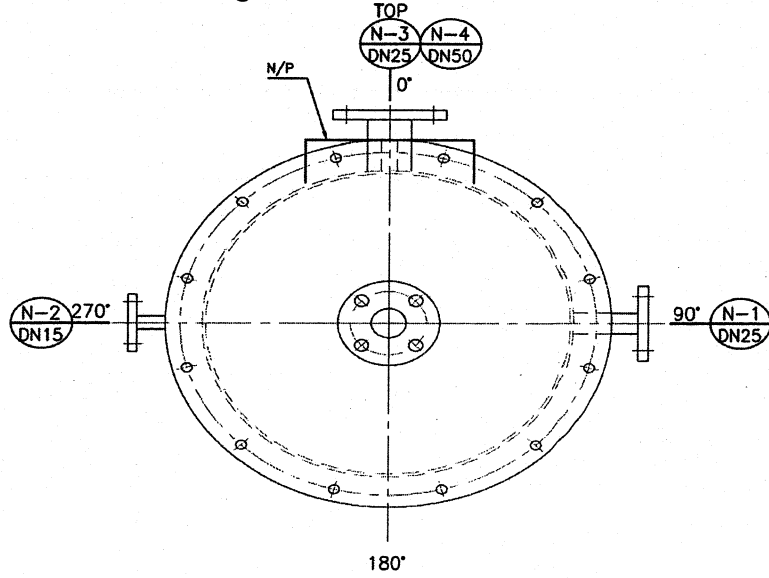


(90)

Signature

Signature

Drawing of Acid Fume Scrubber Tank



(91)

Handwritten signature

Handwritten initials