

### Single line diagram of 400 KV & 230 KV GIS Sub-Station

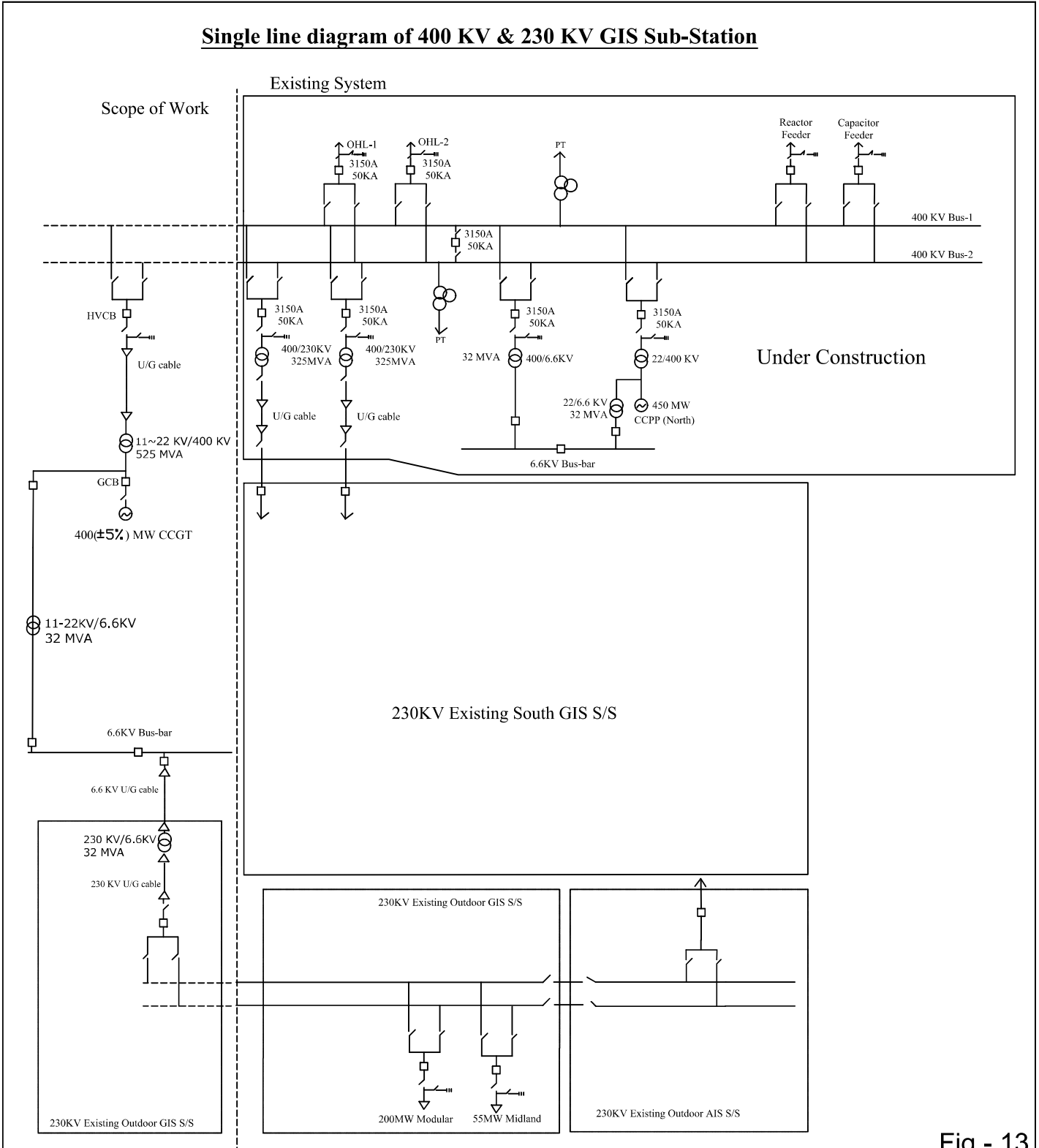


Fig - 13

Note: This is proposed layout drawing. It may be modified during final design stage. All HV, MV, LV and control power change-over should be automatically without interrupting the running system.

ASHUGANJ POWER STATION COMPANY LTD.			
PROJECT: IN-HOUSE FEASIBILITY STUDY FOR 400MW CCPP (EAST) AT ASHUGANJ			
TITLE: SINGLE LINE DIAGRAM OF 400 KV & 230 KV GIS Sub-Station			
CAD BY:	Scale : Not in Scale	Date : 01-08-2016	Sheet-1 of 1

